



TABLE 1 : TECHNICAL SPECIFICATION

SPECIFICATION							
General Information	1.2	Model		G500D	G600D	G800D	G1000D
	1.3	Drive		DIESEL	DIESEL	DIESEL	DIESEL
	1.5	Load Capacity	Q	5000	6000	8000	10000
	1.6	Load Centre	c (mm)	600	600	600	600
	1.8	Front Overhang	x (mm)	750	750	750	750
	1.9	Wheel Base	y (mm)	2300	2300	2550	2850
Weights	2.1	Service Weight	kg	9350	9850	12000	13175
	2.2	Axle Load with load front/Rear	kg	12340/2010	13900/1950	18000/2000	20965/2210
	2.3	Axle Load without load front/Rear	kg	4800/4550	5645/5050	6150/5850	6570/6605
Tyres	3.1	Tyres		Pneumatic/Solid	Pneumatic /Solid	Pneumatic /Solid	Pneumatic /Solid
	3.2	Front- Pneumatic		7.50-20 X 12 PR	7.50-20 X 12 PR	9.00-20 X 14 PR	9.00-20 X 14 PR
		Front- Solid cushion (OD x Width)	mm	880 X 180	880 X 180	990 X 228	990 X 228
	3.3	Rear Pneumatic		7.50-20 X 12 PR	7.50-20 X 12 PR	9.00-20 X 14 PR	9.00-20 X 14 PR
		Rear- Solid cushion (OD x Width)	mm	880 X 180	880 X 180	990 X 228	990 X 228
	3.5	Wheels Front/Rear		4/2.	4/2.	4/2.	4/2.
3.6	Outer Tread Front	b10 (mm)	1850	1850	2125	2125	
3.7	Tread Rear	b11 (mm)	1400	1400	1500	1885	
Dimensions	4.1	Tilt of mast FWD/Back	α/β (Deg)	6/12 Deg.	6/12 Deg.	6/12 Deg.	6/12 Deg.
	4.2	Height, mast lowered	h1 (mm)	2850	2850	3350	3350
	4.4	Maximum Fork Height	h3 (mm)	3660	3660	3660	3660
	4.5	Height, mast extended	h4 (mm)	4600	4600	4900	4900
	4.7	Overhead guard height	h6 (mm)	2520	2520	2600	2600
	4.8	Driver Seat Height	h7 (mm)	1375	1375	1475	1475
	4.19	Overall Length	l1 (mm)	5200	5200	5600	5950
	4.21	Overall Width	b1 (mm)	2200	2200	2410	2410
	4.22	Fork Dimentions Hook type (Thickness x Width x Length)	(mm) (s x e x l)	65 x 130 x 1600	65 x 130 x 1600	75 x 150 x 1600	75 x 150 x 1600
		Fork Dimentions Pin Type (Thickness x Width x Length) mm	(mm) (s x e x l)	75 x 200 x 1600	75 x 200 x 1600	75 x 200 x 1600	75 x 200 x 1600
	4.24	Fork Carriage Width	b3 (mm)	2140	2140	2140	2140
		Fork Carriage Width Pin type	b3 (mm)	2290	2290	2290	2290
	4.31	Ground clearance under mast	m1 (mm)	175	175	200	200
	4.32	Ground clearance at centre of wheelbase	m2 (mm)	275	275	325	325
	4.34	Right Angle Aisle width	Ast (mm)	6250	6250	6800	6950
4.35	Outer Turning Radius	Wa (mm)	3700	3700	4250	4800	
Performance Data	5.1	Travel Speed Laden/Unladen	km/h	18/20	18/20	18/20	18/20
	5.2	Lift Speed Laden/Unladen	m/s	0.22/0.3	0.22/0.3	0.22/0.3	0.22/0.3
	5.3	Lowering speed Laden/Unladen	m/s	0.3/0.3	0.3/0.3	0.3/0.3	0.3/0.3
	5.7	Gradeability Laden/Unladen	%	18	18	18	18

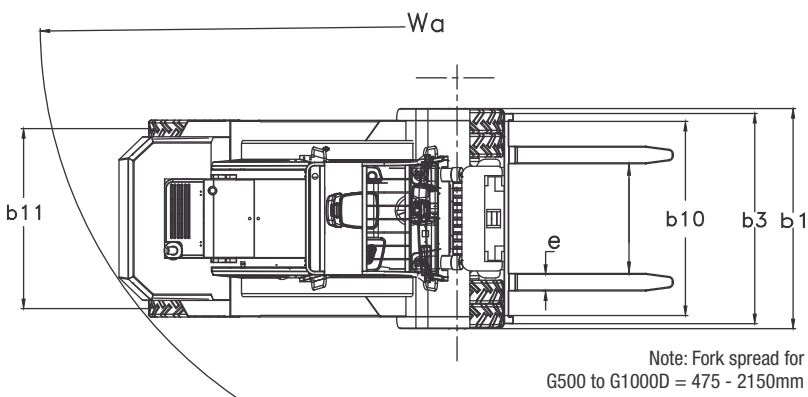


SPECIFICATION

Engine	7.1	Engine Manufacturer		TATA 497TC	TATA 497TC	Ashok Leyland ALHT4CTIC3	Ashok Leyland ALHT4CTIC3
	7.2	Engine Power	hp	75	75	101	101
	7.3.1	Max Torque	Nm @ rpm	320 Nm @1500 rpm	320 Nm @1500 rpm	380 Nm @1700 rpm	380 Nm @1700 rpm
	7.3	Rated Speed	rpm	2200	2200	2200	2200
	7.4	No of Cyl/ displacement	No./cm ³	04/3810 cc	04/3810 cc	04-3870 CC	04-3870 CC
Drive Mechanism	8.11	Service Brake		Failsafe Pneumatic Drum Type	Failsafe Pneumatic Drum Type	Failsafe Pneumatic Drum Type	Failsafe Pneumatic Drum Type
	8.12	Parking brake		Spring Operated with pneumatic release	Spring Operated with pneumatic release	Spring Operated with pneumatic release	Spring Operated with pneumatic release

Note: All Specification indicated are subject to a variation of $\pm 15\%$ and further affected by operating conditions, optional fitments and accessories. Critical specification should be confirmed before placement of order. Specification are subject to change without notice.

LINE DIAGRAM:



CAPACITY CHART:

