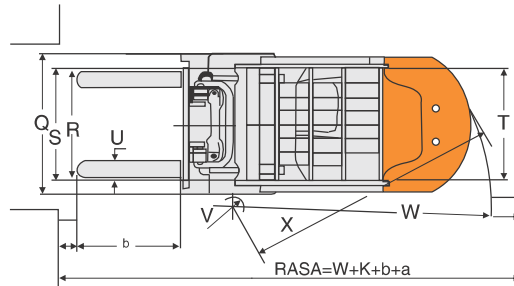
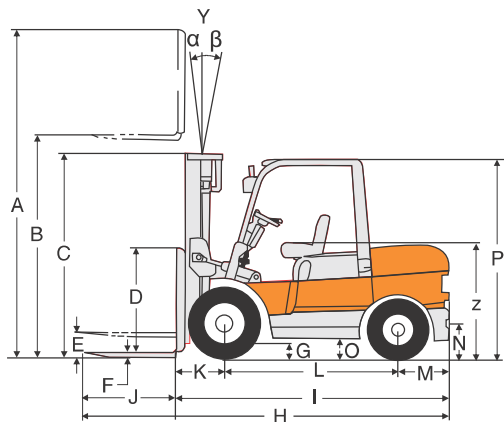




SPECIFICATIONS

SPECIFICATIONS						
Model	Unit	AF 60D	AF 80D	AF 100D		
Load Capacity	Kg	6000	8000	10000		
Power		Diesel				
Tyres	Front / Rear	Pneumatic				
Wheel (s)	Front / Rear	Nos. 4 / 2				
Fork Height (std.)	mm	3000				
Fork Size (LxWxT)	mm	1220 x 150 x 60	1220 x 150 x 80	1220 x 175 x 80		
Tilt Angle $\alpha(\alpha-\beta)$	degree	6° -12°				
Overall length	mm	4770	4860	5390		
Overall Width	mm	1995	2025	2245		
Overall Lowered Height	mm	2500		2850		
Overall Raised Height (* With load backrest)	mm	4380*		4320		
Overhead Guard Clearance (from face of seat)	mm	1100		1120		
Turning Radius (Outside)	mm	3300	3400	3900		
Speed (s)	Travel (F/ R)	With/Without Load	Km/h	27	30	
		Lifting	With Load	mm/s	395	310
	Without Load		mm/s	420	350	380
	Lowering		With Load	mm/s	600	
		Without Load	mm/s	300		
Gradeability	With / Without Load	%	20	18		
Total Weight		Kg	9040	10495	12510	
Tyre Sizes		Front	8.25 - 15 - 14PR		9.00 - 20 - 14PR	
		Rear	8.25 - 15 - 14PR		9.00 - 20 - 14PR	
Wheel Base		mm	2250	2275	2800	
Tread		Front	mm	1760	1795	1980
		Rear	mm	1720		
Brake (s)	Service		Hydraulic-Foot Pedal			
	Parking		Mechanical-Hand Lever			
Battery	Voltage / Capacity	V / AH	2 x 12 / 105			
Engine	Model		6102BG			
	Rated Horsepower		bhp/r.p.m	111/2500		
	Rated Torque		N.m./r.p.m	353 / 1650		
	Number of Cylinders		6			
	Displacement		Ltrs.	5.785		
	Fuel Tank Capacity		Ltrs.	140		
Transmission	Number of Speeds		2/2 Power Shift			
Operating Pressure	For Attachment	Kg / cm ²	200			



STANDARD DIMENSIONS

MODEL	AF 60D	AF 80D	AF 100D
A Overall Height fork raised (*with Load Back Rest)	4380*		4320
B Max fork Height	3000		
C Overall Height fork Lowered	2500		2850
D Backrest Height	1380		N/A
E Free Lift	150		210
F Fork Thickness	60	80	
G Min clearance (Bottom of mast)	170		250
H Overall Length (with forks)	4770	4860	5390
I Overall Length (without forks)	3550	3740	4170
J Fork Length	1220		
K Fork Overhang	590		720
L Wheel base	2250	2275	2800
M Rear Overhang	733		740
N Coupler Height	450		520
O Ground clearance (Bottom of Frame)	240		330
P Overall Height (overhead guard)	2450		2585
Q Overall width	1995	2025	2245
R Lateral fork Adjustment	300-1835		400-2140
S Tread (Front)	1760		1910
T Tread (Rear)	1720		
U Fork width	150		175
V Inside Turning radius	1600		2100
W Outside Turning radius	3300	3400	3900
X Min. Intersecting aisle	3000	3040	3540
Y Tilting angles (α-β)	6°-12°		
Z Seat Height from Ground level	1225		1370